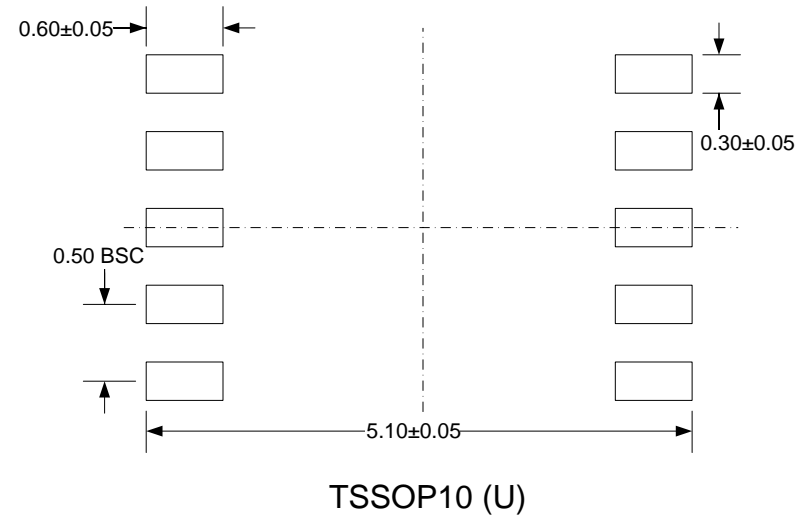
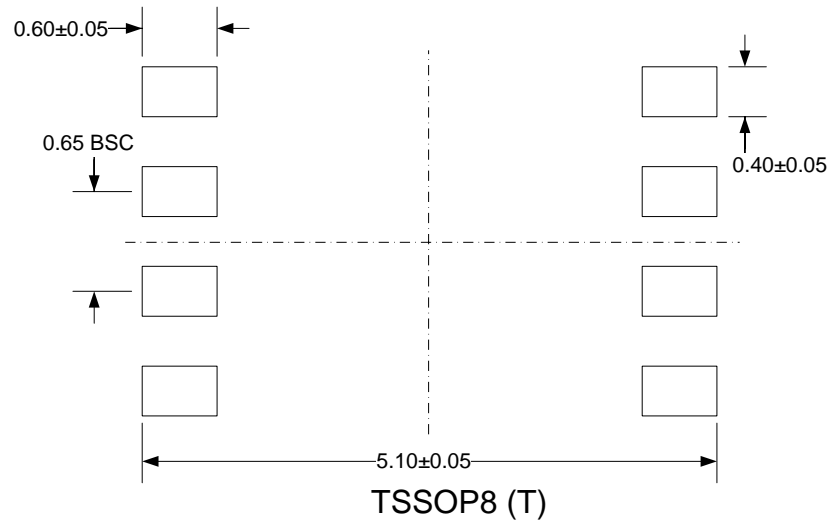




ARIZONA MICROTEK INC.

Suggested PCB Land Patterns

Arizona Microtek, Inc.
1630 S. Stapley Dr., Suite 127
Mesa, AZ 85204 USA
+1 (480) 962-5881
www.azmicrotek.com



Notes:

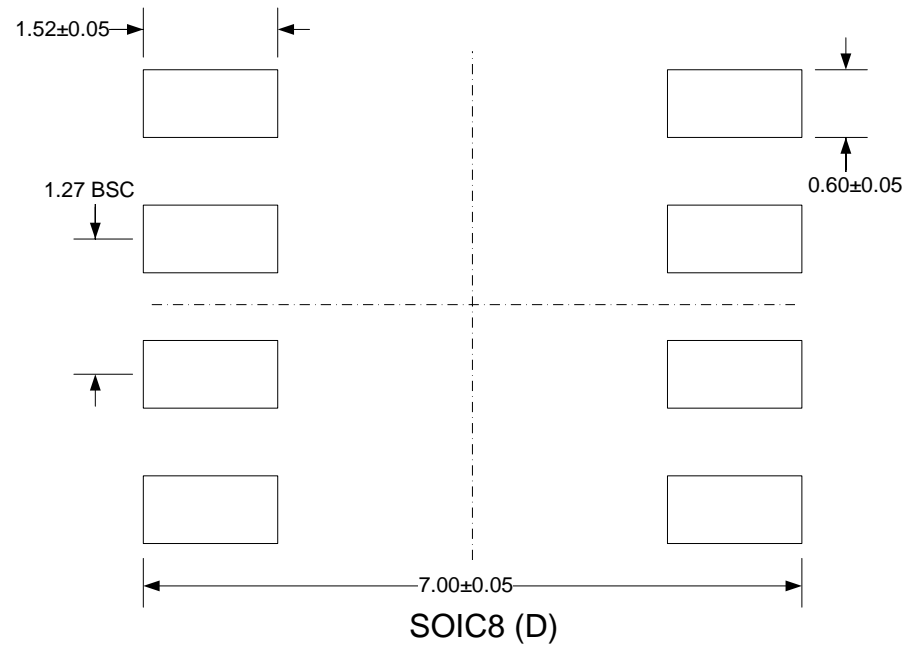
1. Drawing not to scale.
2. All dimensions in millimeters.
3. Dimensions and tolerances may vary between PCB manufacturers.



ARIZONA MICROTEK INC.

Suggested PCB Land Patterns

Arizona Microtek, Inc.
1630 S. Stapley Dr., Suite 127
Mesa, AZ 85204 USA
+1 (480) 962-5881
www.azmicrotek.com



Notes:

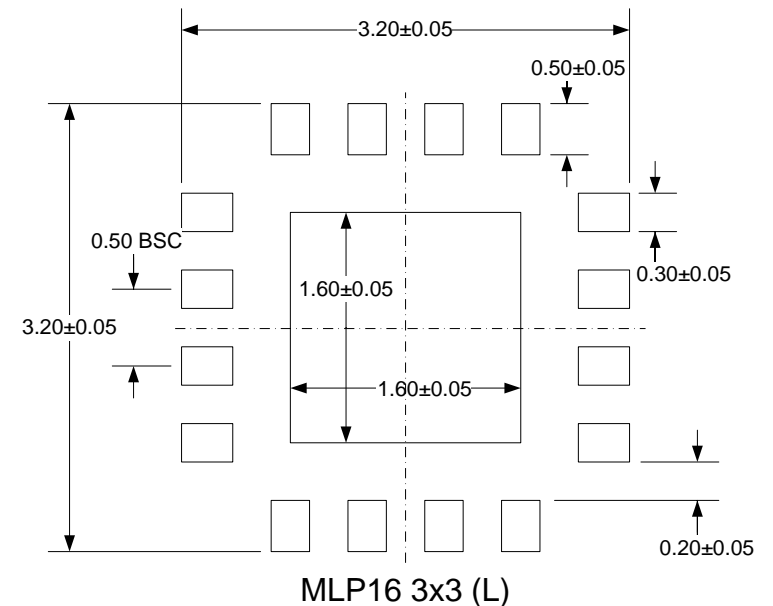
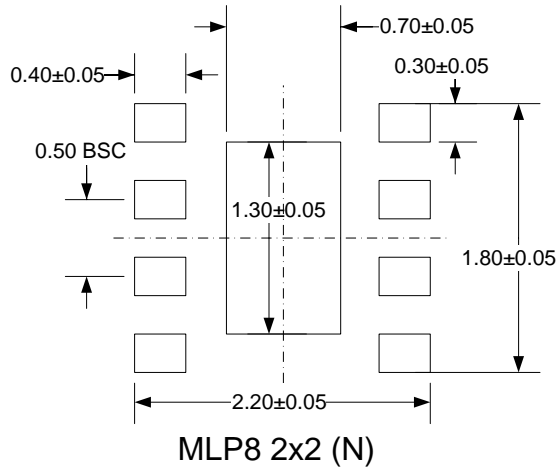
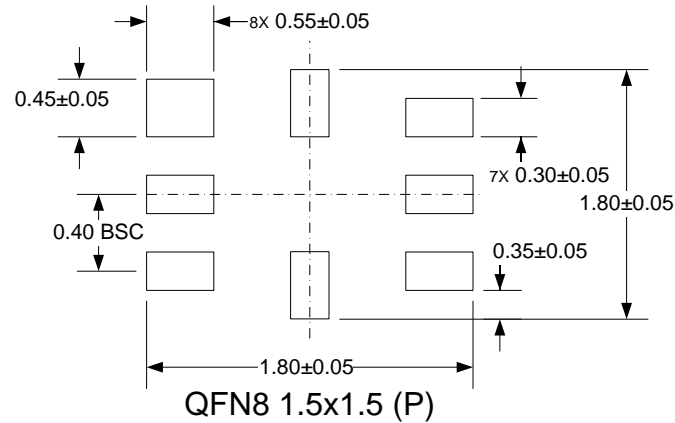
1. Drawing not to scale.
2. All dimensions in millimeters.
3. Dimensions and tolerances may vary between PCB manufacturers.



ARIZONA MICROTEK INC.

Suggested PCB Land Patterns

Arizona Microtek, Inc.
1630 S. Stapley Dr., Suite 127
Mesa, AZ 85204 USA
+1 (480) 962-5881
www.azmicrotek.com



Notes:

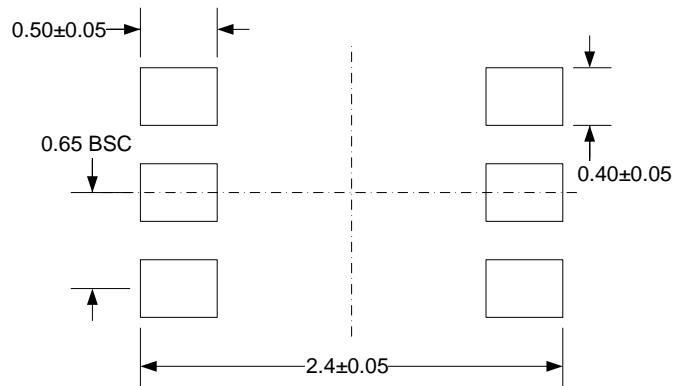
1. Drawing not to scale.
2. All dimensions in millimeters.
3. Dimensions and tolerances may vary between PCB manufacturers.



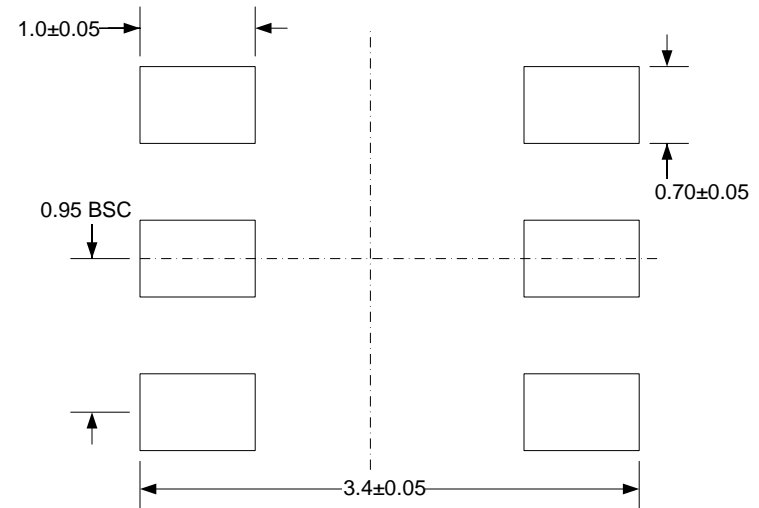
ARIZONA MICROTEK INC.

Suggested PCB Land Patterns

Arizona Microtek, Inc.
1630 S. Stapley Dr., Suite 127
Mesa, AZ 85204 USA
+1 (480) 962-5881
www.azmicrotek.com



SC70-6 (S)



SOT23-6 (V)

Notes:

1. Drawing not to scale.
2. All dimensions in millimeters.
3. Dimensions and tolerances may vary between PCB manufacturers.